

Back and side edges

Multi-layer (multiplex) - They can be screwed to the workbench

Overall height 150 mm - Thickness 20 mm

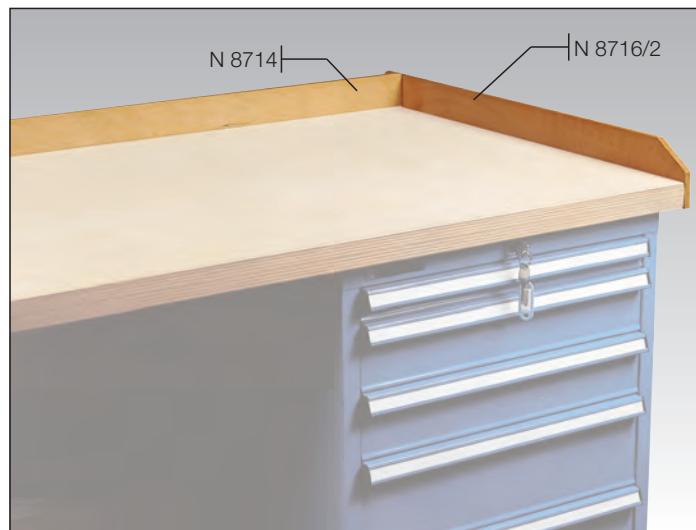
Working height 100/110 mm with workbench, 40 mm thick

Back

Length	mm	1500	2000
Code		N 8714 1500	N 8714 2000
N 8714	Each €		

Side

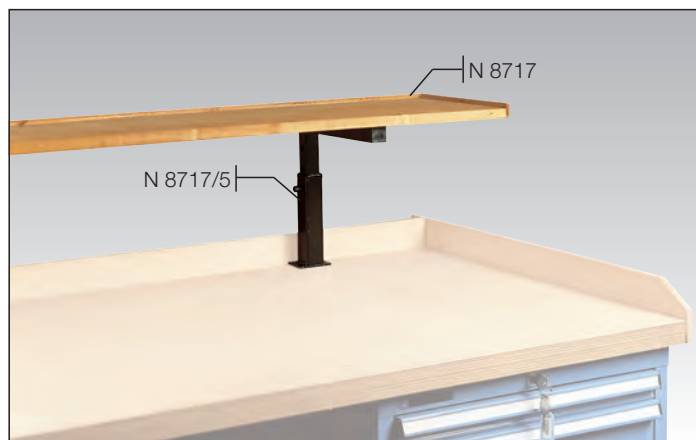
Length	mm	800
Code		N 8716 2800
N 8716/2	Each €	

**Upper multi-layer shelves (multiplex)**

Thickness 20 mm - Depth 300 mm

Supplied without support

Length	mm	1500	2000	2500
Code		N 8717 1500	N 8717 2000	N 8717 2500
N 8717	Each €			

**Adjustable supports for shelves**

Minimum height 230 mm

Maximum height 350 mm

Code N 8717 5000	N 8717/5	Each €
-------------------------	-----------------	--------

Upper multi-layer shelves (multiplex) - Under-surfaces

Thickness 25 mm

Depth 600 mm

Length	mm	1340	1840
Code		N 8718 1300	N 8718 1800
N 8718	Each €		
Portata	kg	130	85

**Sheet metal support for lower surfaces N 8718**

To be fastened to the drawer unit with screws and bolts (not included)

Code N 8718 3000	N 8718/3	Each €
-------------------------	-----------------	--------