

ABC TOOLS Quick-release pullers

Hot-forged steel - Zinc-chrome version

Suitable for internal (dimension «a») and external pulling

The arms are moved by pressing the lock/release button which prevents accidental movement while pulling

Extra strong cross-bar with "T" profile and centimetre scale for uniform regulation of the opening of the arms

Reversible interchangeable arms sliding on ground guides that ensure parallel traction

With 2 arms

Max. opening "a" mm	100	140	170	210	250	340
Code C 3324 ...	2100	2140	2170	2210	2250	2340
C 3324/2 Each €						
Working length of hooks «b» mm	100	100	150	150	200	200
Max. pressure t	3	3	5	5	7,5	7,5
Screw thread x length. mm	M14x1,5x140	M14x1,5x140	G 1/2"x210	G 1/2"x210	G 3/4"x280	G 3/4"x280

With 3 arms

Particularly suitable for applying large forces

Max. opening "a" mm	90	130	160	200
Code C 3324 ...	C 3324 3090	C 3324 3130	C 3324 3160	C 3324 3200
C 3324/3 Each €				
Working length of hooks «b» mm	100	100	150	150
Max. pressure t	3	3	5	5
Screw thread x length. mm	M14x1,5x140	M14x1,5x140	G 1/2"x210	G 1/2"x210

Set of pullers with support

Consisting of:

5 quick release pullers C 3324/2 sizes 100 - 140 - 170 - 210 - 250

Weight 20 kg

Code C 3324 5000	C 3324/5	Each €		1
------------------	-----------------	--------	--	---

Display panel with complete range of pullers with **quick release of the arms** and hydraulic screws on a perforated powder painted sheet metal panel with square holes and hooks for attaching the single pieces

Suitable for workshops, putting tools away tidily

For wall mounting or above workbenches

Consisting of:

1 2-arms cross-bar with max. opening «a» 90 mm

1 2-arms cross-bar with max. opening «a» 130 mm

1 2-arms cross-bar with max. opening «a» 160 mm

1 2-arms cross-bar with max. opening «a» 200 mm

1 3-arms cross-bar with max. opening «a» 90 mm

1 3-arms cross-bar with max. opening «a» 130 mm

1 3-arms cross-bar with max. opening «a» 160 mm

1 3-arms cross-bar with max. opening «a» 200 mm

3 quick release arms, length 100 mm

3 quick release arms, length 150 mm

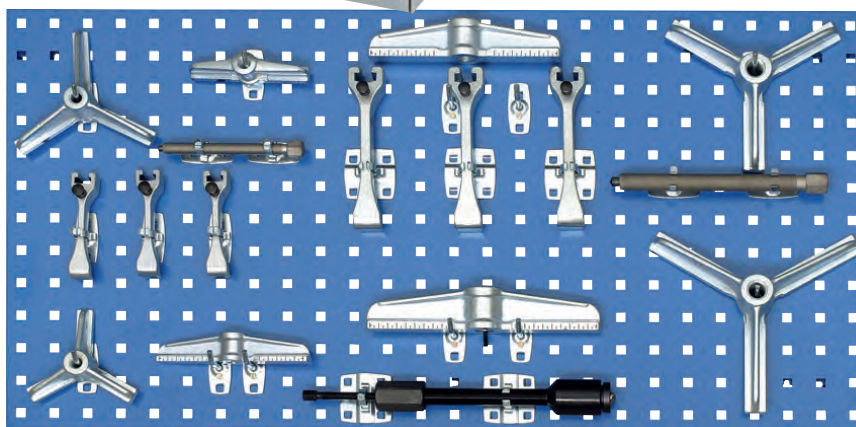
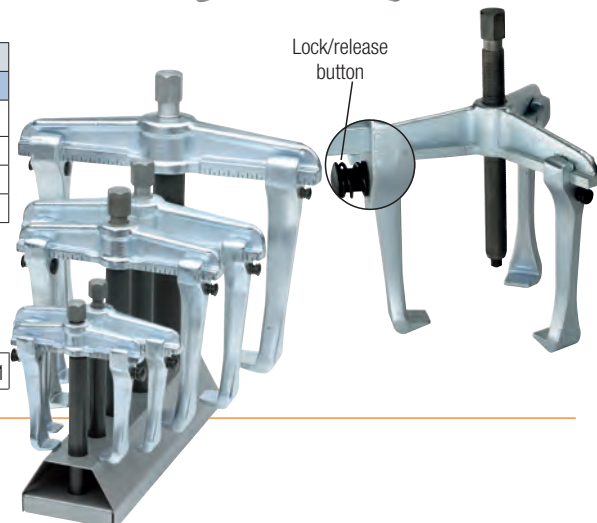
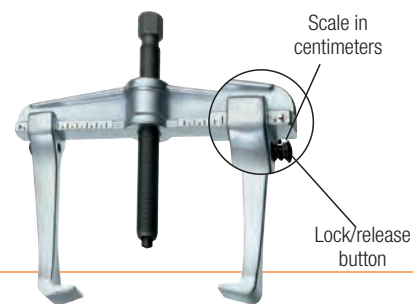
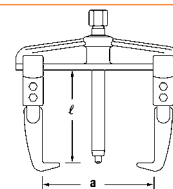
1 normal screw with thread M 14x1,5x140 C 3323/95 x 1

1 normal screw with thread G 1/2"x210 C 3323/95 x 2

1 hydraulic spindle with thread G 1/2"x210 C 3328/1 x 1/2"

Panel dimensions LxDxH 1000x15x460 mm - Weight 17,5 kg

Code C 3324 1700	C 3324/17	Each €		1
------------------	------------------	--------	--	---



ABC TOOLS Pullers with locking bracket

Hot-forged steel - Zinc-chrome version

With arms suitable for internal and external pulling blocked with screw against the piece to ensure a secure grip for pulling

Type for medium depth extraction

Maximum opening mm	80	90	90	100	145	150
Code C 3325 ...	1080	1089	1090	1100	1145	1150
C 3325/1 Each €						
Working length of the hooks mm	90	85	100	110	145	140
Max. pressure t	5	5	5	6	8	7,5

Type for deep extraction

Maximum opening mm	110	160	160
Code C 3325 ...	C 3325 2110	C 3325 2159	C 3325 2160
C 3325/2 Each €			
Working length of the hooks mm	170	260	325
Max. pressure t	5	7,5	7,5

